

Copper

EXCLUSIVE

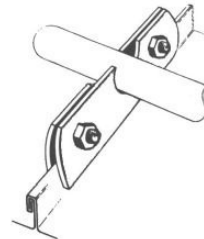
79 W 4500 S Suite 6 Murray, UT 84107

801 - 400 - 2515

Product Description and Installation Instruction for German engineered snow retention systems

Product of:

REES
SCHNEEFANGSYSTEME
GmbH & Co. KG



Distributed by:

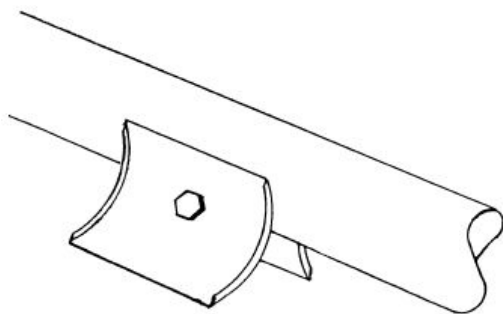
Copper
EXCLUSIVE

Ice stopper for snow retention system for standing seam roofs

Aluminum ice stopper, 1.2 mm thick. Includes stainless steel bolts and nuts for installation.
Product number 792-663

Stainless steel ice stopper, 1 mm thick. Includes stainless steel bolts and nuts for installation.
Product number 999-663

Copper ice stopper, 1.2 mm thick. Includes stainless steel bolts and nuts for installation.
Product number 928-663



Description

Ice stopper for standing seam roof snow retention systems

Parts

2 ice stopper parts
1 stainless steel bolt with nut for fastening

Packaging

50 pairs per box

Installation

When working/standing on the roof and/or using a scaffold and/or a ladder etc. always make sure that you use a proper safety belt, safety harness OR OTHER appropriate safety measures to keep you safe from falling. Both Copper Exclusive and Rees and all their officers and agents will be held harmless from any claims, fees and other expenses due to claims of personal injury, death, damage to property etc, resulting from any action of the installers or affiliates.

Installation description

Install 1, 2 or 3 of the ice stopper(s) per roofing panel, as described below. The quantity of ice stoppers required depends on the panel width and the roof pitch. Please let us know when you need further assistance with figuring out the correct ice stopper amount.

Installation

Place one part of the provided ice stopper onto the roofing panel and around the pipe from below, as shown here on the right, and put in the provided bolt....

Insert the bolt into the second part of the ice stopper located on the opposite site of the pipe (as shown) and attach the provided nut, keeping the pipe between the ice stopper. Tighten the bolts and nuts carefully, just a little more than hand tight; the system tightens itself when ice and snow start to slide against the ice stopper. Attention! Some metal roofs have a tendency to oil canning, (bowing out) in the middle of the panel. In this case tighten the bolts and nuts stronger, until the ice stopper noticeably "pushes" the oil canning (bowing) straight against the sheathing.

