

Copper

EXCLUSIVE

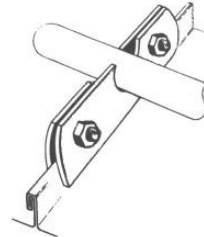
79 W 4500 S Suite 6 Murray, UT 84107

801 - 400 - 2515

Product Description and Installation Instruction for German engineered snow retention systems

Product of:

REES
SCHNEEFANGSYSTEME
GmbH & Co. KG

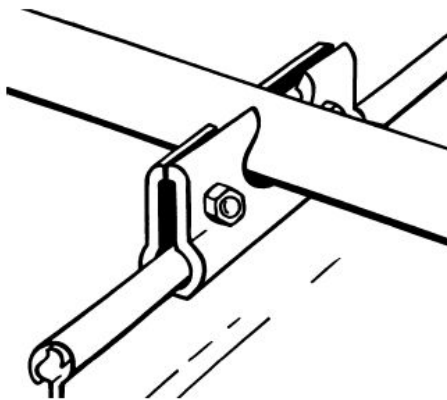


Distributed by:

Copper
EXCLUSIVE

Snow retention brackets for round-seam-head standing seam roofs

Aluminum brackets, 5 mm thick. Includes stainless steel bolts and nuts for installation.
Product number 832-661



Description

Snow retention system for round-seam-head metal roofs with clamp-on technology.

Parts

2 brackets
2 stainless steel bolts with nuts for fastening

Packaging

20 pair of brackets w/fasteners per box

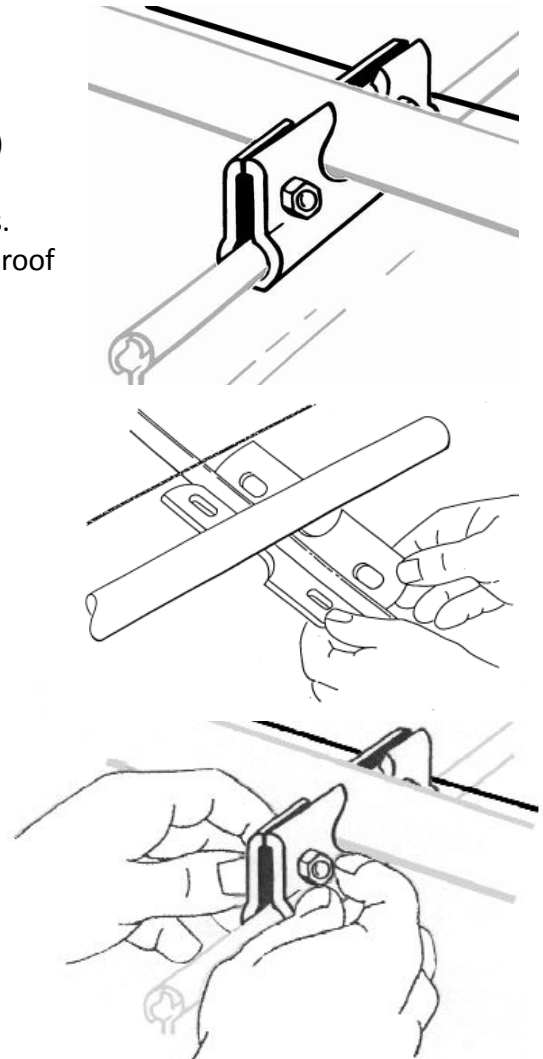
Installation

When working/standing on the roof and/or using a scaffold and/or a ladder etc. always make sure that you use a proper safety belt, safety harness OR OTHER appropriate safety measures to keep you safe from falling. Both Copper Exclusive and Rees and all their officers and agents will be held harmless from any claims, fees and other expenses due to claims of personal injury, death, damage to property etc, resulting from any action of the installers or affiliates.

Installation description

Install the two outside-most starter brackets (left & right side) on the roof and use a chalk line to ensure a straight snow retention system installation. Place a pipe into these brackets. You can prevent the other end of the pipe from falling off the roof by installing another bracket at the end of the pipe length. See bracket assembly instruction on bottom of this page.

Installation of the other brackets: Place the two parts of the brackets, as shown on the right, below the pipe on either side of the adjacent roof seam. Align all brackets to the chalk line before tightening the bolts and nuts with 25 - 28 lbf-ft torque. See bracket assembly instruction on bottom of this page.



Bracket assembly

